

## INSTALLATION GUIDE

### *Basalt Triple Pendant*

---

Thoughtful lighting, responsibly designed in London.

Thank you for making the switch to Tala.  
Discover the full Tala family at [tala.co.uk](http://tala.co.uk)

---

### BEFORE STARTING

We advise the fitting of our ceiling rose and pendant to be performed by a qualified electrician. Please read through these instructions before commencing work, and keep them for future reference. Please take extreme care when carrying out these instructions.

### IMPORTANT

This light fitting must be connected to the supply earth. If your lighting circuit does not have an earth, ask a qualified electrician to provide an earth facility. This light fitting is suitable for indoor use only. This fitting operates on 240V mains voltage. Please visit our website to see our recommended dimmers.

### WARNING

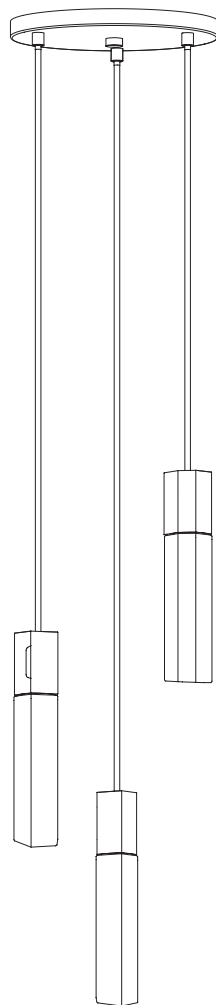
Always switch off electricity supply at the mains during installation and maintenance. We recommend that the fuse is withdrawn or the circuit breaker is switched off whilst work is in progress. Do not just turn off at the wall switch. All fittings must be installed in accordance with current Building Regulations and IEE Wiring Regulations.

### RECOMMENDED EQUIPMENT

- Small flat head screwdriver
- Wire strippers
- Insulation tape
- M10 (17mm) (5/8IN) spanner or Adjustable spanner

Further equipment may be required for fixing to your ceiling.

---



IP20

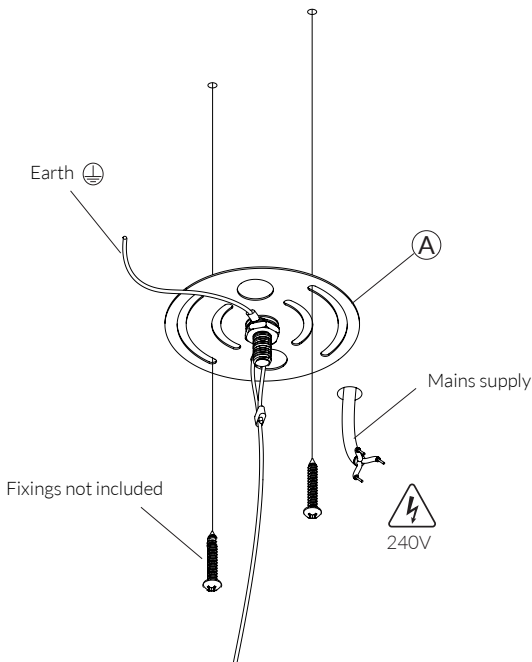
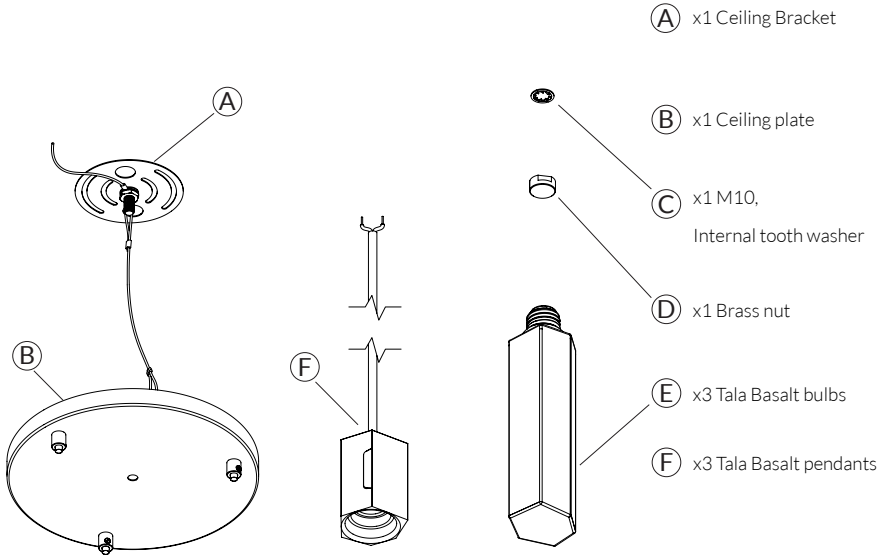
220 - 240V



SKU - BSALT-I-SET-TRI-PD-01-EU

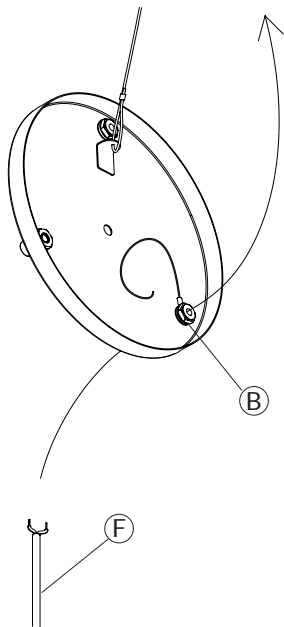
SKU - BSALT-I-SET-TRI-PD-02-EU

# BASALT - TRIPLE COMPONENTS



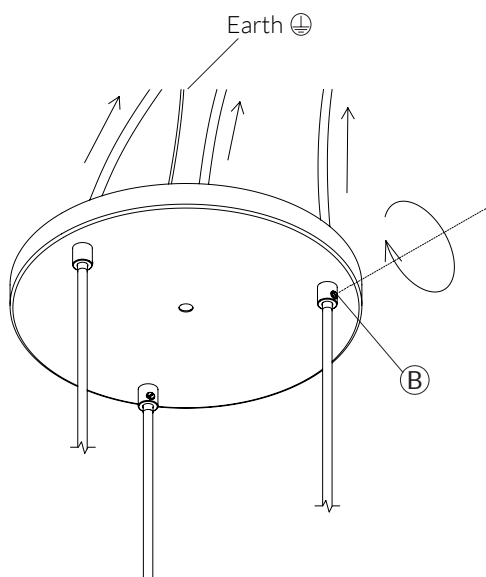
## STEP 1

Attach (A) to the ceiling using screws and plug. Always choose screws and plugs that are appropriate for the ceiling.



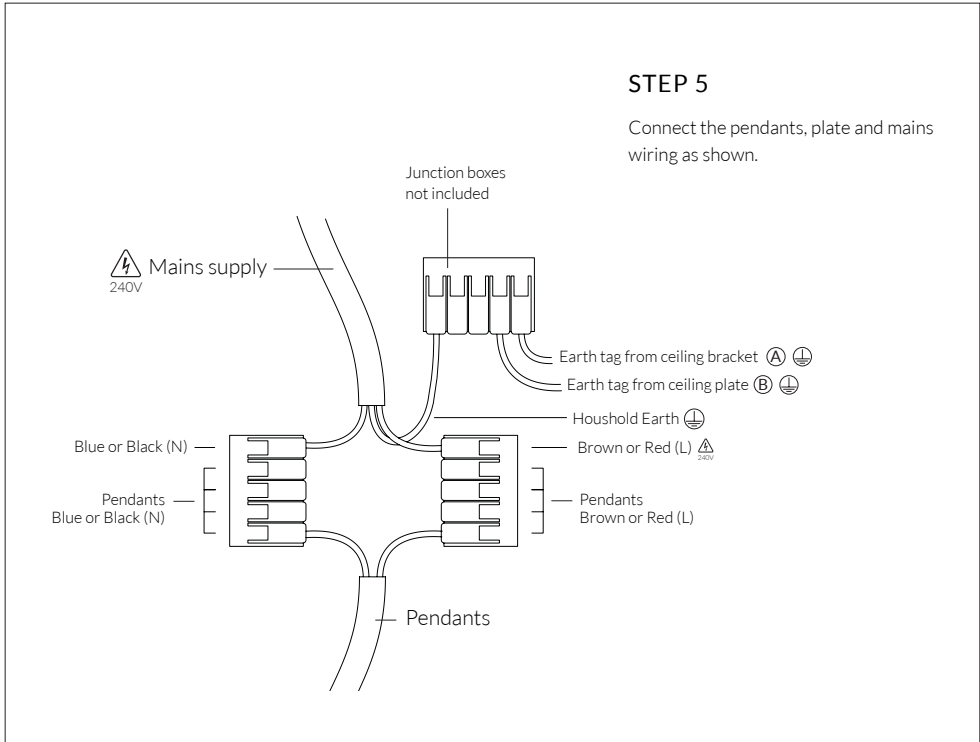
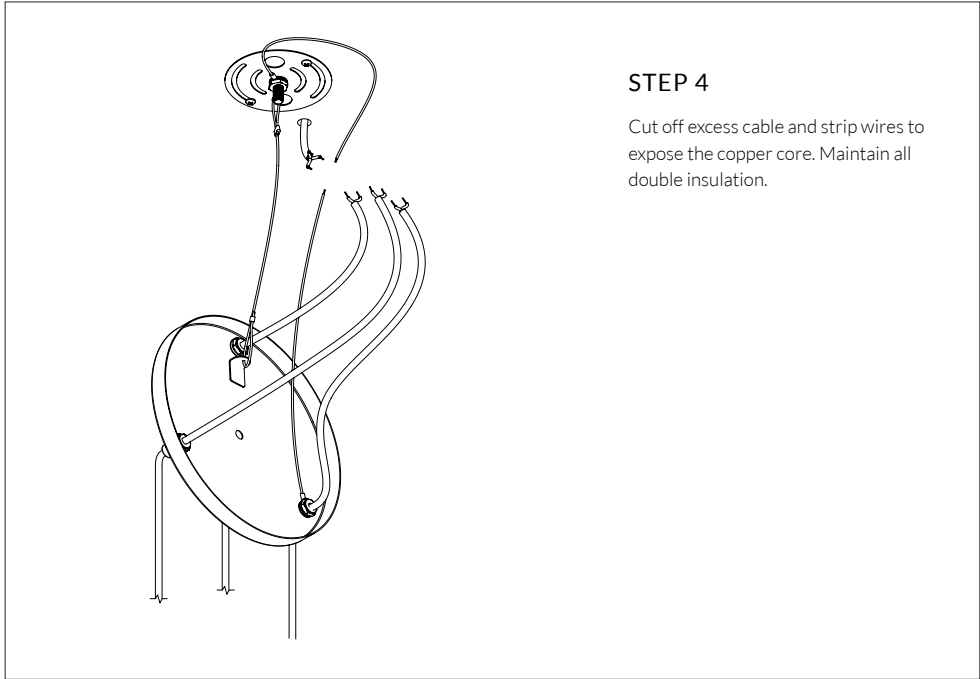
## STEP 2

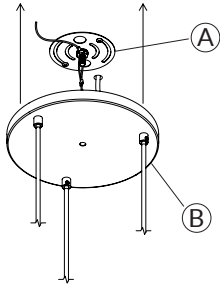
Thread all three pendant cables (F) through ceiling plate cord grips (B).



## STEP 3

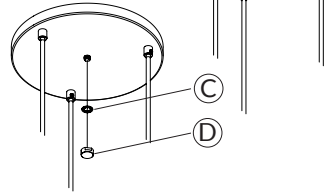
Pull cables through to your desired length. Using a flat head screwdriver, tighten set screws (B) to secure them.



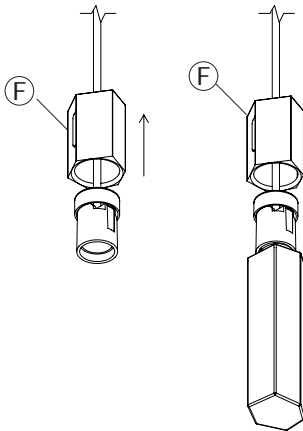


### STEP 6

Move (B) up onto (A).  
Use toother washer (C) and nut (D) to secure it in place.

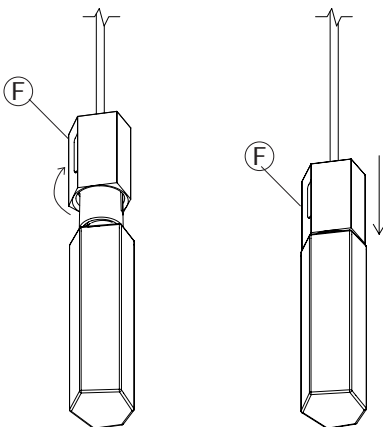


Do a final tighten with the correct spanner.



### STEP 7

Lift metal sleeve (F) and screw in the bulb firmly. Take care not to let the metal sleeve fall onto the bulb



### STEP 8

Rotate metal steeve (F) To align with the bulb

Carefully lower metal sleeve onto the bulb. you can now make and final tweaks to the alignment of the bulb and sleeve.

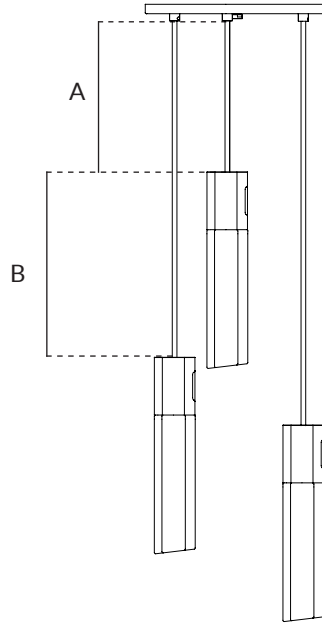
## PENDANTS DISPLAY GUIDE

### MINIMUM CORD LENGTH (A)

For all bulbs shortest recommended cord length is **350mm**

### DISTANCE BETWEEN PENDANTS (B)

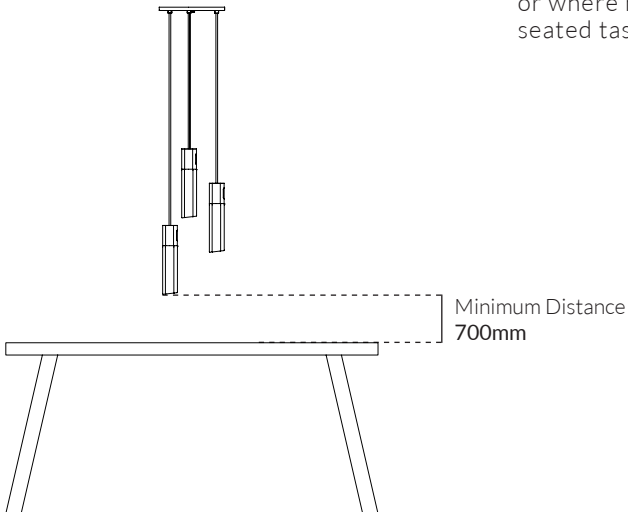
Recommended minimum distance between pendant is **100mm**.



## PENDANTS - RECOMMENDED CABLE LENGTHS

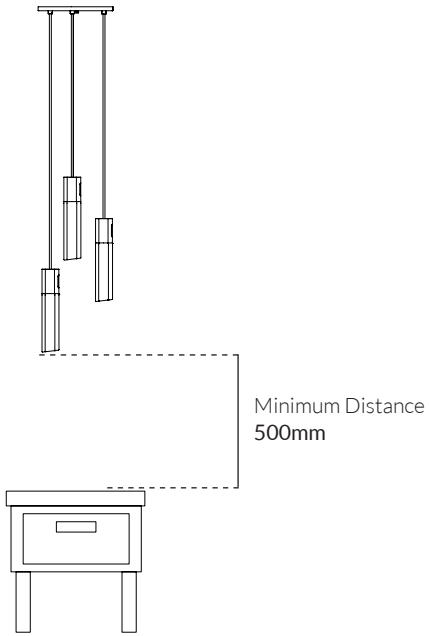
### SCENARIO 1

Above a coffee or dining table, or where height is required for seated tasks



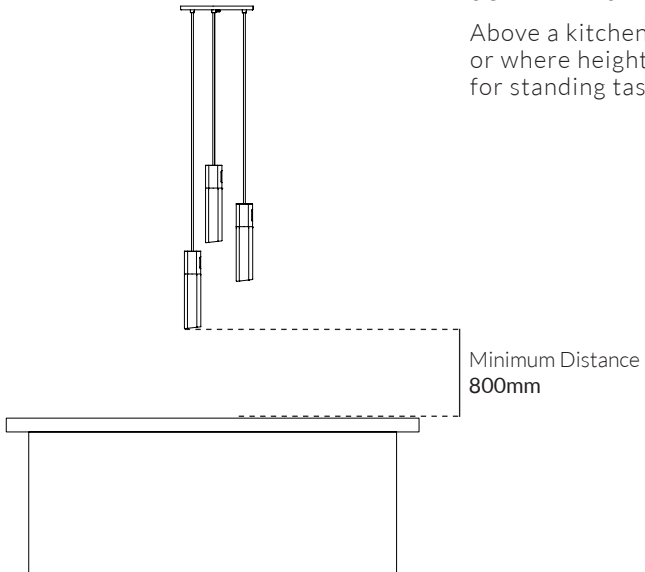
### SCENARIO 2

Above side tables, or where height is required for storage



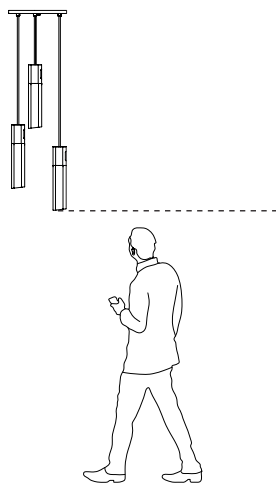
### SCENARIO 3

Above a kitchen island or bar, or where height is required for standing tasks



#### SCENARIO 4

Above a stairwell or walkway,  
or where height is required  
for walking underneath



Minimum Distance  
2.2m

---

## CARE AND CLEANING

We recommend cleaning with a soft dry cloth. Do not use abrasive materials as these will damage the finish of the product. Do not expose any part of the bulb or pendant to water or moisture.

## WARRANTY AND AFTER-CARE

This product is covered by a three year warranty. Within this time, we will replace any parts that show functional defects or malfunctions. Please report any signs of fault or damage to our Customer Service team, along with supporting visual evidence, by emailing: [customerservice@tala.co.uk](mailto:customerservice@tala.co.uk).

---

### Join the Community

Instagram: @tala | Facebook: talaHQ | Pinterest: TalaLED | Tag: lighttoliveby  
Tala Studios, 25B Vyner Street, London E2 9DG | +44 20 3026 3246 | [hello@tala.co.uk](mailto:hello@tala.co.uk)